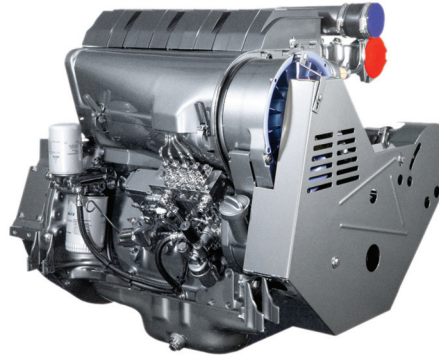


# BFL 914

for generator sets

29 - 154 kW | 38 - 206 hp at 1500/1800 min<sup>-1</sup> | rpm  
EU Stage II / US EPA Tier 2 and lower

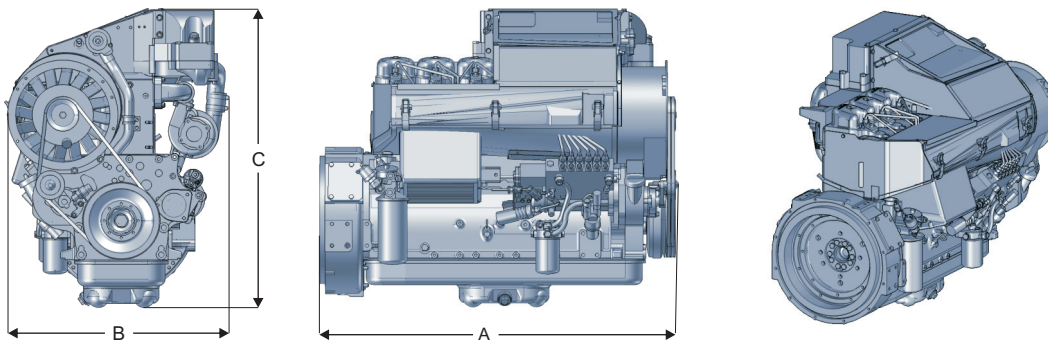
- Air-cooled 3 to 6-cylinder naturally aspirated engines in inline arrangement.
- 4- and 6-cylinder engines also with turbocharging and optional charge air cooling.
- Low noise emissions due to acoustically optimized components with very smooth running and high durability.
- Also available with an electronic motor regulator (EMR) to allow easy integration into the electronic device control and monitoring system.



- Best cold starting performance even under extreme conditions.

- Easy, inexpensive installation due to minimum weight and small installation space.
- The robust engine design allows worldwide operation even with high sulphur fuels.
- Highly efficient injection and combustion system ensures optimum engine performance at low consumption.
- A very good load response ensures an immediate power supply.

## Dimensions



		A	B	C
F3L 914	mm   in	690   27	695   27	800   31
F4L 914	mm   in	830   33	670   26	800   31
F5L 914	mm   in	865   34	720   28	850   33
F6L 914	mm   in	1085   43	675   27	885   35
BF4L 914	mm   in	805   32	710   28	810   32
BF6L 914	mm   in	1105   43	705   28	920   36
BF6L 914C	mm   in	1130   44	775   30	1060   42

Note: The engine dimensions and weights vary depending on the scope of delivery.

The engine company.



## Technical data EU Stage II/US EPA Tier 2

Engine type		F3L 914	F4L 914	F6L 914	BF6L 914	BF6L 914C
No. of cylinders		3	4	6	6	6
Bore/stroke	mm   in	102/132   4.0/5.2	102/132   4.0/5.2	102/132   4.0/5.2	102/132   4.0/5.2	102/132   4.0/5.2
Displacement	l   cu in	3.2   197	4.3   263	6.5   395	6.5   395	6.5   395
Weight (incl. cooler and fan)	kg   lb	277   611	307   677	430   948	485   1069	510   1124
Governing standard <sup>1)</sup>		G2	G2	G2	G2	G2

### 50 Hz / 1500 min<sup>-1</sup>

Power		F3L 914	F4L 914	F6L 914	BF6L 914	BF6L 914C
Continuous Power (COP) <sup>2)</sup>	kW   hp	28.5   38.2	37.5   50.3	54.1   72.5	88.7   118.9	111.0   148.9
Prime Power (PRP) <sup>3)</sup>	kW   hp	30.0   40.2	39.5   53.0	56.9   76.3	93.4   125.3	116.8   156.6
Limited Time Power (LTP) <sup>4)</sup>	kW   hp	31.5   42.2	41.5   55.7	59.7   80.1	98.1   131.6	122.6   164.4
Fan power consumption	kW   hp	0.5   0.7	0.5   0.7	0.7   0.9	1.5   2.0	1.6   2.1
Typical Generator Output COP <sup>6)</sup>	kVA	32	42	60	98	123
Typical Generator Output PRP <sup>6)</sup>	kVA	33	44	63	103	130
Typical Generator Output LTP <sup>6)</sup>	kVA	35	46	66	109	136

Fuel Consumption (PRP) <sup>5)</sup>		F3L 914	F4L 914	F6L 914	BF6L 914	BF6L 914C
Fuel consumption 25% load	g/kWh   lb/hph	310   0.51	320   0.53	330   0.54	305   0.50	300   0.49
Fuel consumption 50% load	g/kWh   lb/hph	230   0.38	241   0.40	235   0.39	248   0.41	243   0.40
Fuel consumption 75% load	g/kWh   lb/hph	214   0.35	221   0.36	220   0.36	235   0.39	231   0.38
Fuel consumption 100% load	g/kWh   lb/hph	210   0.35	223   0.37	216   0.36	227   0.37	223   0.37

Inlet & exhaust data		F3L 914	F4L 914	F6L 914	BF6L 914	BF6L 914C
max. intake depression	mbar   psi	20   0.29	20   0.29	20   0.29	20   0.29	20   0.29
Combustion air volume	m <sup>3</sup> /h   cfm	131   77	174   102	262   154	374   220	453   267
max. exhaust gas temperature	°C   °F	450   842	455   851	510   950	550   1022	525   977
Exhaust gas flow	m <sup>3</sup> /h   cfm	358   211	476   280	715   421	1058   623	1278   752

### 60 Hz / 1800 min<sup>-1</sup>

Power		F3L 914	F4L 914	F6L 914	BF6L 914	BF6L 914C
Continuous Power (COP) <sup>2)</sup>	kW   hp	33.3   44.7	45.4   60.9	65.2   87.4	92.1   123.5	129.2   173.3
Prime Power (PRP) <sup>3)</sup>	kW   hp	34.8   46.7	47.4   63.6	68.2   91.5	96.9   129.9	136.0   182.4
Limited Time Power (LTP) <sup>4)</sup>	kW   hp	36.8   49.3	49.9   66.9	71.7   96.2	101.8   136.5	142.8   191.5
Fan power consumption	kW   hp	0.8   1.1	0.9   1.2	1.2   1.6	1.8   2.4	2.8   3.8
Typical Generator Output COP <sup>6)</sup>	kWe	30	40	58	81	114
Typical Generator Output PRP <sup>6)</sup>	kWe	31	42	60	86	120
Typical Generator Output LTP <sup>6)</sup>	kWe	32	44	64	90	126

Fuel Consumption (PRP) <sup>5)</sup>		F3L 914	F4L 914	F6L 914	BF6L 914	BF6L 914C
Fuel consumption 25% load	g/kWh   lb/hph	335   0.55	335   0.55	300   0.49	280   0.46	300   0.49
Fuel consumption 50% load	g/kWh   lb/hph	234   0.38	234   0.38	228   0.37	223   0.37	243   0.40
Fuel consumption 75% load	g/kWh   lb/hph	221   0.36	122   0.20	209   0.34	211   0.35	231   0.38
Fuel consumption 100% load	g/kWh   lb/hph	208   0.34	210   0.35	207   0.34	209   0.34	223   0.37

Inlet & exhaust data		F3L 914	F4L 914	F6L 914	BF6L 914	BF6L 914C
max. intake depression	mbar   psi	20   0.29	20   0.29	20   0.29	20   0.29	20   0.29
Combustion air volume	m <sup>3</sup> /h   cfm	157   92	209   123	315   185	526   310	642   378
max. exhaust gas temperature	°C   °F	485   905	490   914	540   1004	590   1094	505   941
Exhaust gas flow	m <sup>3</sup> /h   cfm	426   251	572   337	853   502	1462   861	1827   1075

1) According to ISO 8528-5.

2) Continuous Power: No time limitation, plus 10% additional power for governing purpose only.

3) Prime Power: Average power output ≤ 80%, no time limitation, plus 5% additional power for governing purpose only.

4) Limited Time Running Power: For up to 500 h/year, thereof a maximum of 300 h/year continuous running.

5) Refers to diesel with a density of 0.835 kg/dm<sup>3</sup> at 15°C | 6.96 lb/US gallon at 60°F.

6) In consideration of a generator efficiency level of 90 % and a power factor of 0.8.

The data on this data sheet are for information purposes only and are not binding values. The data in the quotation is definitive.



## Technical data for markets without emission regulation

Engine type		F3L 914	F4L 914	F6L 914
No. of cylinders		3	4	6
Bore/stroke	mm   in	102/132   4.0/5.2	102/132   4.0/5.2	102/132   4.0/5.2
Displacement	l   cu in	3.2   197	4.3   263	6.5   395
Weight (incl. cooler and fan)	kg   lb	277   611	307   677	430   948
Governing standard <sup>1)</sup>		G2	G2	G2

Engine type		BF4L 914	BF6L 914	BF6L 914C
No. of cylinders		4	6	6
Bore/stroke	mm   in	102/132   4.0/5.2	102/132   4.0/5.2	102/132   4.0/5.2
Displacement	l   cu in	4.3   263	6.5   395	6.5   395
Weight (incl. cooler and fan)	kg   lb	350   772	485   1069	510   1124
Governing standard <sup>1)</sup>		G2	G2	G2

### 50 Hz / 1500 min<sup>-1</sup>

Power		F3L 914	F4L 914	F6L 914
Continuous Power (COP) <sup>2)</sup>	kW   hp	31.5   42.2	41.5   55.7	62.7   84.1
Prime Power (PRP) <sup>3)</sup>	kW   hp	33.0   44.3	43.5   58.3	65.7   88.1
Limited Time Power (LTP) <sup>4)</sup>	kW   hp	35.0   46.9	46.0   61.7	69.2   92.8
Fan power consumption	kW   hp	0.5   0.7	0.5   0.7	0.7   0.9
Typical Generator Output COP <sup>6)</sup>	kVA	35	46	69
Typical Generator Output PRP <sup>6)</sup>	kVA	37	48	73
Typical Generator Output LTP <sup>6)</sup>	kVA	39	51	77

Power		BF4L 914	BF6L 914	BF6L 914C
Continuous Power (COP) <sup>2)</sup>	kW   hp	57.7   77.4	89.1   119.5	115.6   155.0
Prime Power (PRP) <sup>3)</sup>	kW   hp	59.7   80.1	93.1   124.8	120.6   161.7
Limited Time Power (LTP) <sup>4)</sup>	kW   hp	62.7   84.1	98.1   131.6	126.6   169.8
Fan power consumption	kW   hp	0.7   0.9	1.1   1.5	1.6   2.1
Typical Generator Output COP <sup>6)</sup>	kVA	64	99	131
Typical Generator Output PRP <sup>6)</sup>	kVA	66	104	137
Typical Generator Output LTP <sup>6)</sup>	kVA	70	109	144

Fuel Consumption (PRP) <sup>5)</sup>		F3L 914	F4L 914	F6L 914
Fuel consumption 25% load	g/kWh   lb/hph	323   0.53	323   0.53	315   0.52
Fuel consumption 50% load	g/kWh   lb/hph	228   0.37	228   0.37	220   0.36
Fuel consumption 75% load	g/kWh   lb/hph	207   0.34	207   0.34	204   0.34
Fuel consumption 100% load	g/kWh   lb/hph	205   0.34	205   0.34	205   0.34

Fuel Consumption (PRP) <sup>5)</sup>		BF4L 914	BF6L 914	BF6L 914C
Fuel consumption 25% load	g/kWh   lb/hph	323   0.53	280   0.46	265   0.44
Fuel consumption 50% load	g/kWh   lb/hph	228   0.37	223   0.37	221   0.36
Fuel consumption 75% load	g/kWh   lb/hph	207   0.34	211   0.35	209   0.34
Fuel consumption 100% load	g/kWh   lb/hph	205   0.34	209   0.34	206   0.34

Inlet & exhaust data		F3L 914	F4L 914	F6L 914
max. intake depression	mbar   psi	20   0.29	20   0.29	20   0.29
Combustion air volume	m <sup>3</sup> /h   cfm	131   77	174   102	262   154
max. exhaust gas temperature	°C   °F	450   842	455   851	510   950
Exhaust gas flow	m <sup>3</sup> /h   cfm	358   211	476   280	715   421

Inlet & exhaust data		BF4L 914	BF6L 914	BF6L 914C
max. intake depression	mbar   psi	20   0.29	20   0.29	20   0.29
Combustion air volume	m <sup>3</sup> /h   cfm	226   133	374   220	453   267
max. exhaust gas temperature	°C   °F	540   1004	550   1022	525   977
Exhaust gas flow	m <sup>3</sup> /h   cfm	644   379	1058   623	1287   758



## 60 Hz / 1800 min<sup>-1</sup>

Power		F3L 914	F4L 914	F6L 914
Continuous Power (COP) <sup>2)</sup>	kW   hp	37.3   50.0	49.4   66.2	74.2   99.5
Prime Power (PRP) <sup>3)</sup>	kW   hp	38.8   52.0	51.9   69.6	77.7   104.2
Limited Time Power (LTP) <sup>4)</sup>	kW   hp	40.8   54.7	54.4   73.0	81.7   109.6
Fan power consumption	kW   hp	0.5   0.7	0.5   0.7	1.0   1.3
Typical Generator Output COP <sup>6)</sup>	kWe	33	44	66
Typical Generator Output PRP <sup>6)</sup>	kWe	34	46	69
Typical Generator Output LTP <sup>6)</sup>	kWe	36	49	73

Power		BF4L 914	BF6L 914	BF6L 914C
Continuous Power (COP) <sup>2)</sup>	kW   hp	68.2   91.5	107.8   144.6	139.8   187.5
Prime Power (PRP) <sup>3)</sup>	kW   hp	71.2   95.5	111.8   149.9	146.3   196.2
Limited Time Power (LTP) <sup>4)</sup>	kW   hp	75.2   100.8	117.8   158.0	153.8   206.2
Fan power consumption	kW   hp	1.2   1.6	1.8   2.4	2.8   3.8
Typical Generator Output COP <sup>6)</sup>	kWe	60	95	123
Typical Generator Output PRP <sup>6)</sup>	kWe	63	99	129
Typical Generator Output LTP <sup>6)</sup>	kWe	67	104	136

Fuel Consumption (PRP) <sup>5)</sup>		F3L 914	F4L 914	F6L 914
Fuel consumption 25% load	g/kWh   lb/hph	335   0.55	335   0.55	300   0.49
Fuel consumption 50% load	g/kWh   lb/hph	234   0.38	234   0.38	228   0.37
Fuel consumption 75% load	g/kWh   lb/hph	221   0.36	212   0.35	209   0.34
Fuel consumption 100% load	g/kWh   lb/hph	210   0.35	210   0.35	207   0.34

Fuel Consumption (PRP) <sup>5)</sup>		BF4L 914	BF6L 914	BF6L 914C
Fuel consumption 25% load	g/kWh   lb/hph	335   0.55	280   0.46	280   0.46
Fuel consumption 50% load	g/kWh   lb/hph	234   0.38	223   0.37	223   0.37
Fuel consumption 75% load	g/kWh   lb/hph	212   0.35	211   0.35	211   0.35
Fuel consumption 100% load	g/kWh   lb/hph	210   0.35	209   0.34	209   0.34

Inlet & exhaust data		F3L 914	F4L 914	F6L 914
max. intake depression	mbar   psi	20   0.29	20   0.29	20   0.29
Combustion air volume	m <sup>3</sup> /h   cfm	157   92	209   123	315   185
max. exhaust gas temperature	°C   °F	485   905	490   914	540   1004
Exhaust gas flow	m <sup>3</sup> /h   cfm	426   251	572   337	853   502

Inlet & exhaust data		BF4L 914	BF6L 914	BF6L 914C
max. intake depression	mbar   psi	20   0.29	20   0.29	20   0.29
Combustion air volume	m <sup>3</sup> /h   cfm	310   182	526   310	642   378
max. exhaust gas temperature	°C   °F	530   986	540   1004	505   941
Exhaust gas flow	m <sup>3</sup> /h   cfm	850   500	1315   774	1644   968

- 1) According to ISO 8528-5.
- 2) Continuous Power: No time limitation, plus 10% additional power for governing purpose only.
- 3) Prime Power: Average power output ≤ 80%, no time limitation, plus 5% additional power for governing purpose only.
- 4) Limited Time Running Power: For up to 500 h/year, thereof a maximum of 300 h/year continuous running.
- 5) Refers to diesel with a density of 0.835 kg/dm<sup>3</sup> at 15°C | 6.96 lb/US gallon at 60°F.
- 6) In consideration of a generator efficiency level of 90 - 92 % and a power factor of 0.8.

The data on this data sheet are for information purposes only and are not binding values. The data in the quotation is definitive.

For more information please contact the DEUTZ AG Köln or the responsible sales partner.

